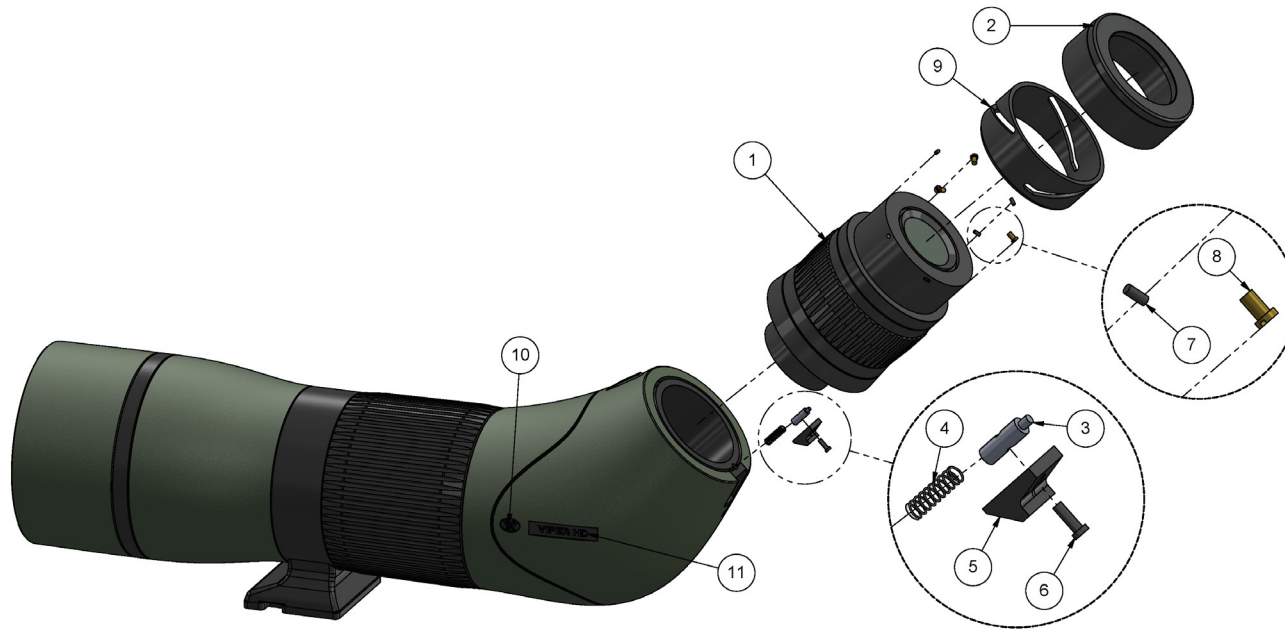




VIPER[®] HD

15-45x65 ANGLED SPOTTING SCOPE



Viper HD 65mm Angled Models	
Model	Magnification
V500	15-45x

Parts				
ITEM NO.	PART NUMBER	DESCRIPTION	QTY.	NOTES
1	A-00245-0	Viper HD 65mm zoom eyepiece assembly	1	
2	C-00660-0	Eyecup Rubber	1	
3	C-03398-0	Eyepiece locking pin	1	
4	C-03399-0	Eyepiece locking pin spring	1	
5	C-03397-0	Eyepiece locking button	1	
6	C-03396-0	Eyepiece lock button set screw	1	
7	C-00064-0	Eyecup tensioner	3	
8	C-00658-0	Eyecup assembly screw	3	
9	C-00659-0	Eyecup assembly outer ring	1	

In-Box Accessories				
ITEM NO.	PART NUMBER	DESCRIPTION	QTY.	NOTES
	C-02434-0	Viper HD 65mm angled neoprene case	1	
	C-00631-0	Objective cap 65mm	1	
	C-02430-0	Objective lens cover 65mm	1	
	C-02432-0	Eyepiece lens cover	1	
	C-02433-0	Eyepiece cap	1	
	C-02963-0	Lens Cloth	1	
	M-00127-0	Viper HD spotting scope owner's manual	1	