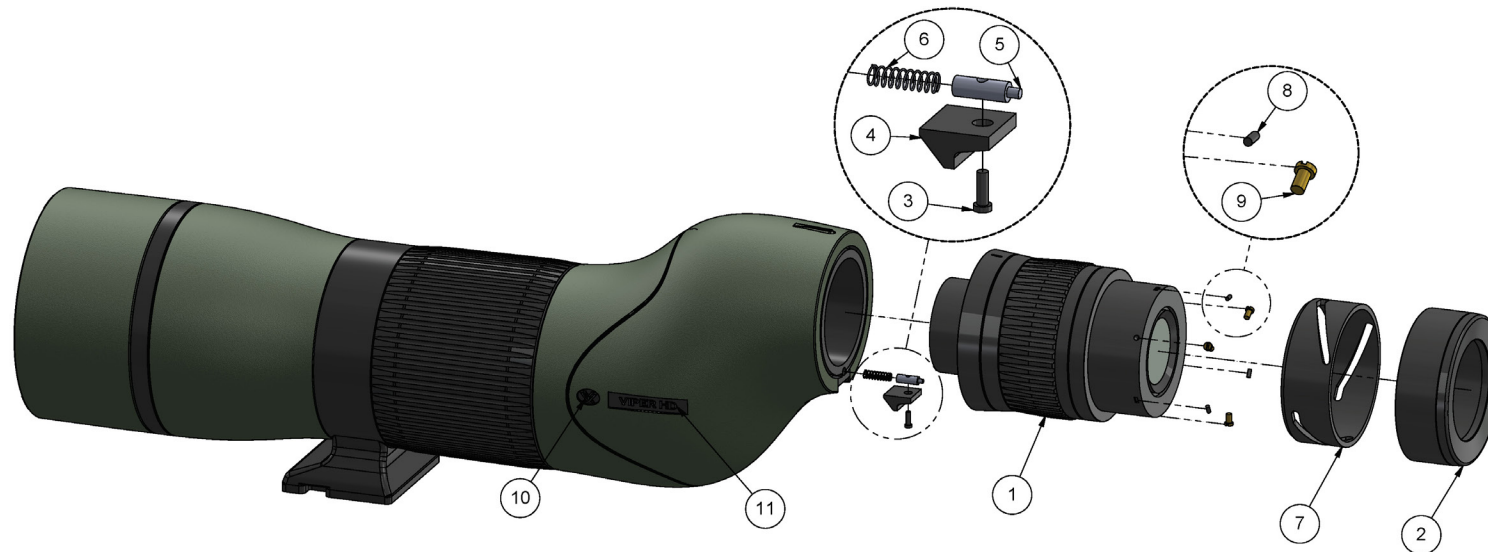




VIPER[®] HD

15-45x65 STRAIGHT SPOTTING SCOPE



Viper HD 65mm Straight Models

Model	Magnification
V501	15-45x

Parts

ITEM NO.	PART NUMBER	DESCRIPTION	QTY.	NOTES
1	A-00245-0	Viper HD 65mm zoom eyepiece assembly	1	
2	C-00660-0	Eyecup Rubber	1	
3	C-03396-0	Eyepiece lock button set screw	1	
4	C-03397-0	Eyepiece locking button	1	
5	C-03398-0	Eyepiece locking pin	1	
6	C-03399-0	Eyepiece locking pin spring	1	
7	C-00659-0	Eyecup assembly outer ring	1	
8	C-00064-0	Eyecup tensioner	3	
9	C-00658-0	Eyecup assembly screw	3	
10	C-00624-0	Oval badge	2	
11	C-00625-0	Rectangle badge	2	

In-Box Accessories

ITEM NO.	PART NUMBER	DESCRIPTION	QTY.	NOTES
	C-02435-0	Viper HD 65mm straight neoprene case	1	
	C-00631-0	Objective lens cover 65mm	1	
	C-02432-0	Eyepiece lens cover	1	
	C-02963-0	Lens Cloth	1	
	M-00127-1	Viper HD spotting scope owner's manual	1	